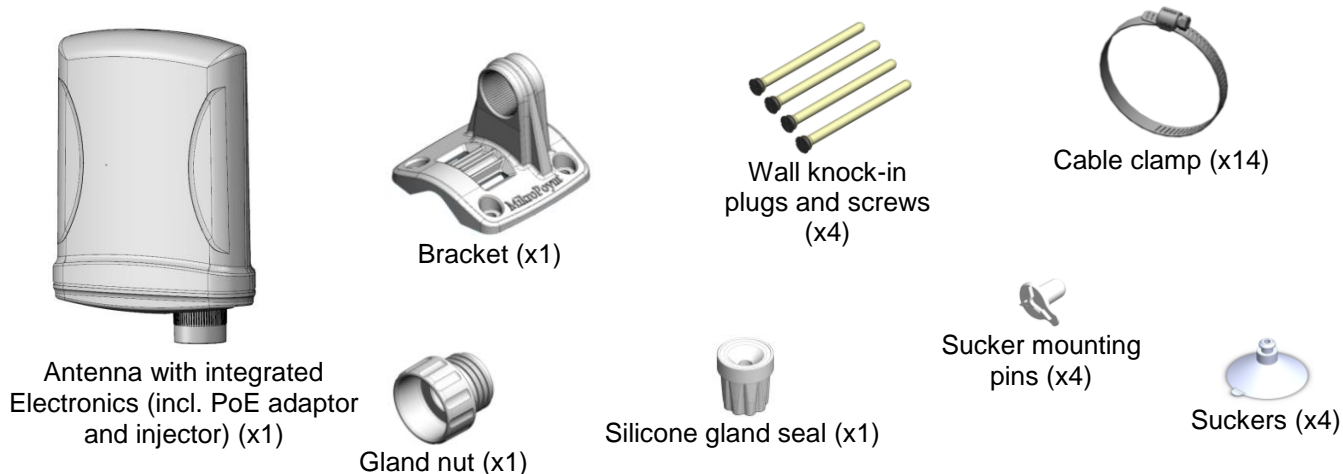


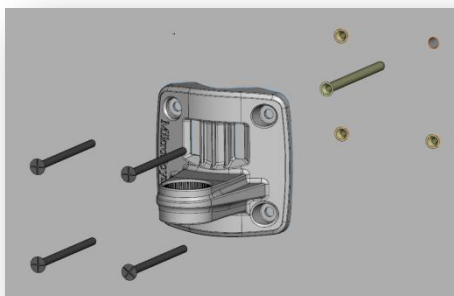
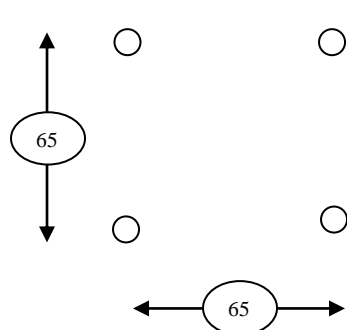
This MikroPoynt enclosure is ideal for improving your signal quality on Client Premises Equipment. It can be mounted outdoors on a pole of up to 50mm in diameter, against a window or against a wall. Follow the instructions below for mounting the MikroPoynt.

Package contents



Wall Mounting

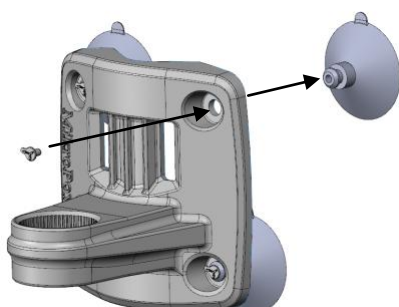
Use a 6mm masonry drill bit to drill four holes into the wall. See the dimensions below.



Place the bracket over the four holes and line up the holes in the bracket with the holes in the wall. Place the four knock-in screws to mount the bracket to the wall.

Window Mounting

Place each of the four suckers through the holes in the bracket. Inset the sucker pins from the front of the bracket into the hole in the four suckers.



Pole Mounting

Place the pipe clamp through the bracket as shown below. Now place the cable clamp around the pole and tighten the screw on the cable clamp until the bracket is secured to the pole.



Connecting the cable

- Slide the gland nut over the cable.
- Fit the silicone gland seal over the cable.
- Fit the main antenna enclosure into the mounted bracket.
- Aim the antenna in the correct direction.
- Clip the RJ45 connector into the receptacle.
- Push the silicone seal into the hole where the RJ45 connector is connected.
- Tighten the gland nut by hand.

