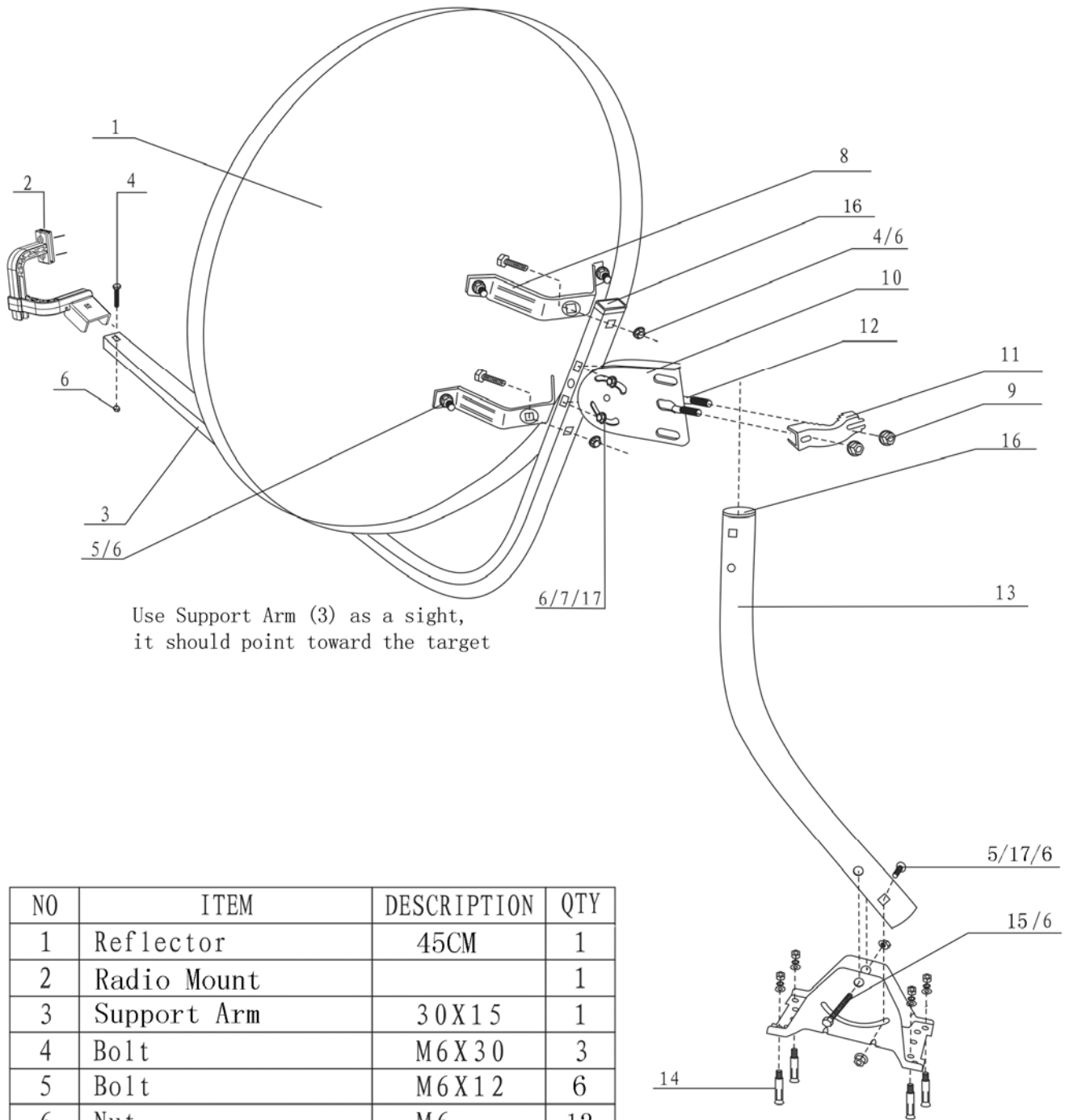


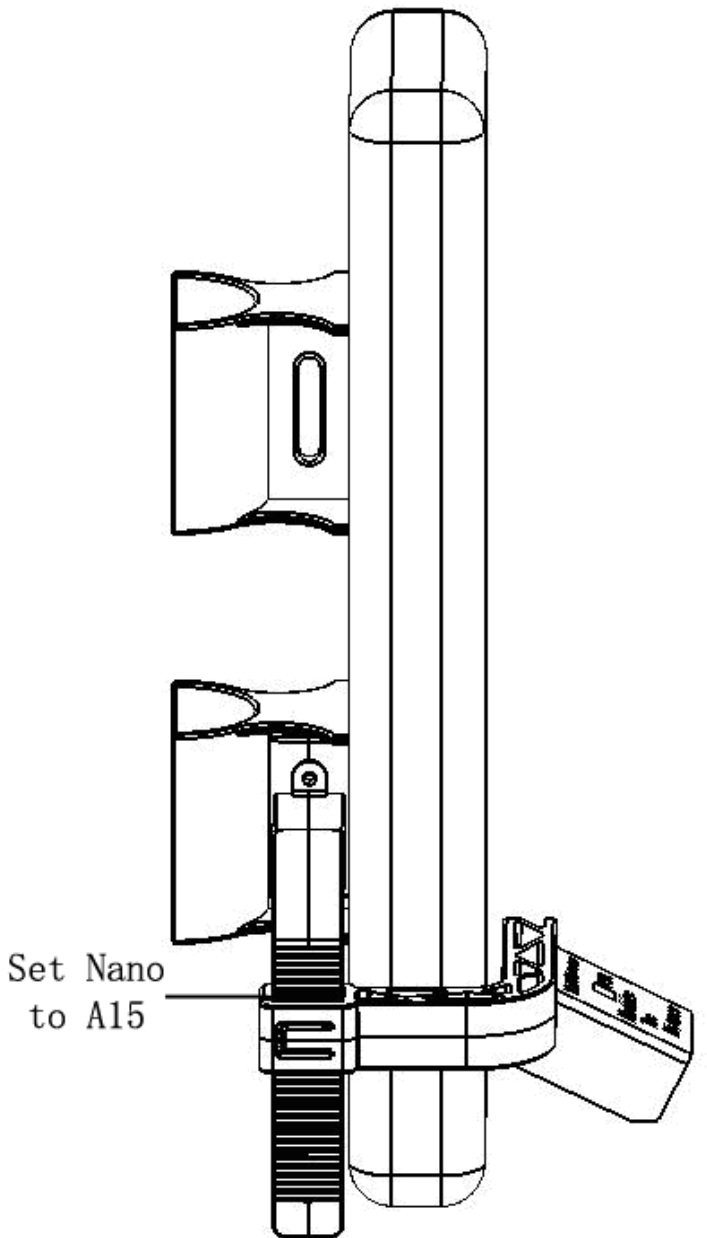
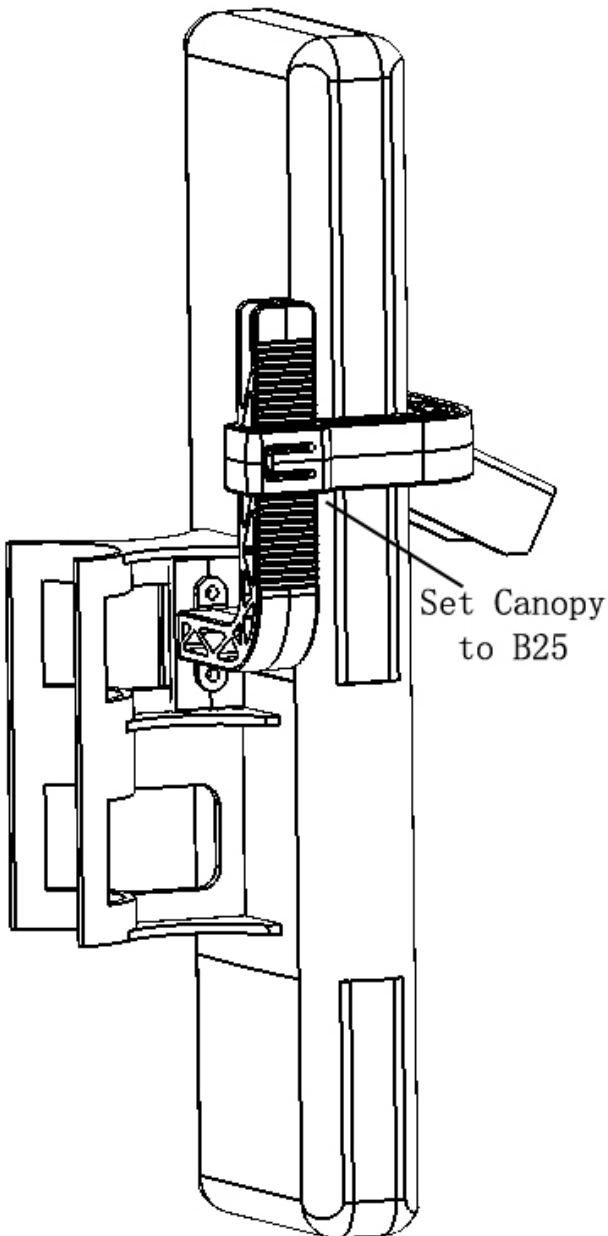
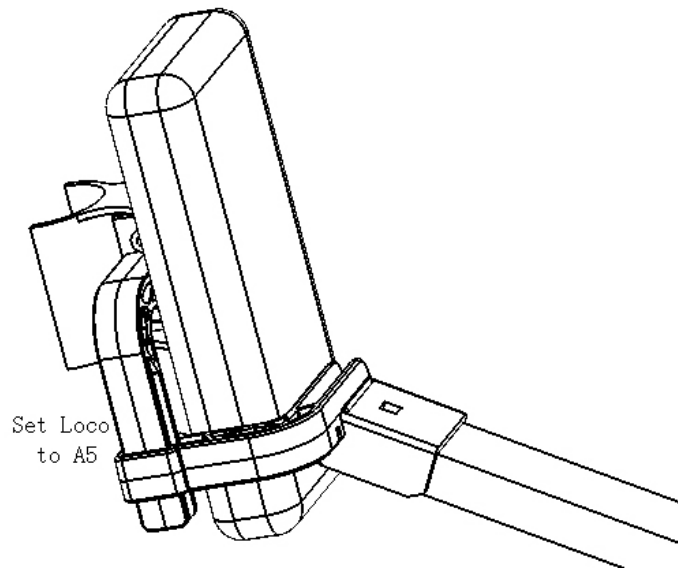
# MoWiNet Assembly Diagram



Use Support Arm (3) as a sight,  
it should point toward the target

NO	ITEM	DESCRIPTION	QTY
1	Reflector	45CM	1
2	Radio Mount		1
3	Support Arm	30X15	1
4	Bolt	M6X30	3
5	Bolt	M6X12	6
6	Nut	M6	12
7	Bolt	M6X45	2
8	Reflector Mount		2
9	Nut	M8	2
10	Adjustable Mount		1
11	Pipe Clamp		1
12	U-Bolt	M8	1
13	Stand Pipe	Φ 42	1
14	Anchor Bolt	M6X50	4
15	Bolt	M6X60	1
16	Plastic Cover		2
17	Washer	Φ6	4

Adjustable mount (10) can be flipped for an additional 15 degrees of downtilt.



Do Not use cap with NanoM